



Hot & Cold Wall Faucet



- Chrome plate standard
- Model 50HA Double Check Backflow Preventer
- Clear, Round Handles - Standard (Tee Key optional)
- C22 Exposed Head Model 4" - 24" Wall Thickness
- B22 Rectangular Box Model 6" - 24" Wall Thickness
- (6) Inlet Options (See page 2 for details)
- 3/4" male hose thread nozzle
- Stainless steel seat - eliminates wire draw
- EPDM Packing
- Full circle operating threads on valve body and retainer
- No lead solder on all solder joints
- Standard "O" size beveled seat washer
- Adjustable packing nut
- Chrome plated red brass head casting
- 5/16" solid brass valve stem
- Check valve on valve stem
- MAX PRESSURE; 125 p.s.i.
- MAX TEMPERATURE; 120° F

Mild Climate Area Wall Faucets

Choose a close connection Mild Climate wall faucet for areas where freezing conditions are not likely to occur.

- Exposed chrome plate brass head models are available with single check vacuum breaker or double check backflow preventer
- 3 security box models are available for the Model 24 or 26
- Select chrome plated brass, anodized aluminum or modular box and stainless steel door and fascia
- See page 2 for model specifications
- Not intended for potable water applications.



NOTICE

- All hydrants are intended For Irrigation and Outdoor Watering.
- All hydrants are not recommended for continuous use.
- All specifications are subject to change without notice.

Visit our website for Patent Information, Individual Spec. Sheets, Installation and Troubleshooting Instructions  
[www.woodfordmfg.com](http://www.woodfordmfg.com) or call 1-800-621-6032

Limited 5 Year Warranty

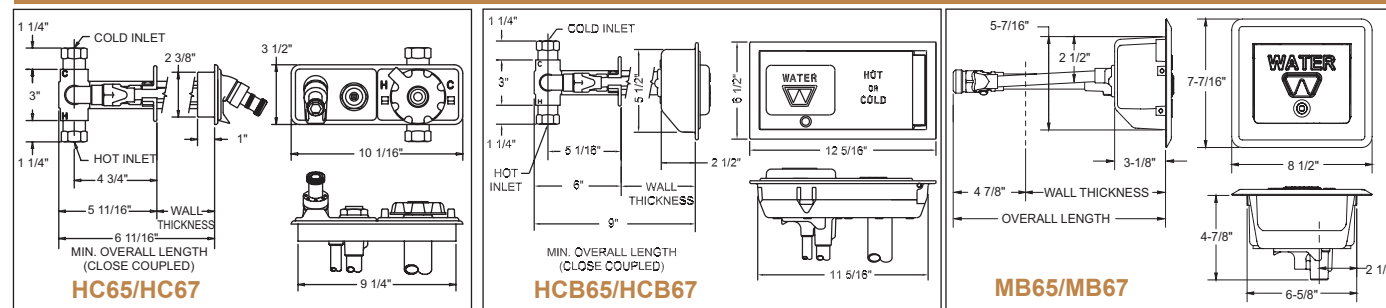
All commercial hydrants shown in this brochure are sold with a limited warranty for five years against defects in material and workmanship. We will replace or issue credit (at our option) for defective goods that are returned for inspection and found to be defective within five years of purchase from Woodford.



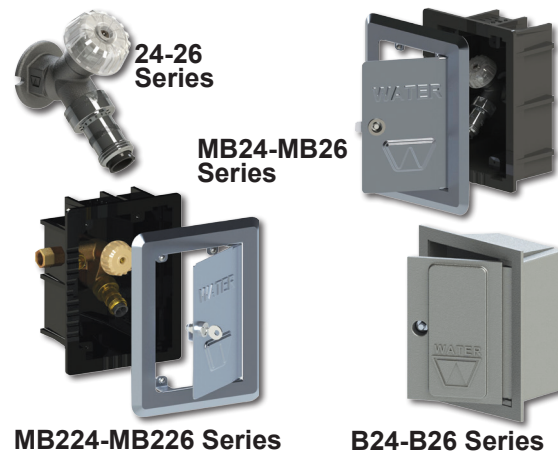
SHIPPING WEIGHTS

Wall Thickness (inches)*	4	6	8	10	12	14	16	18	20	22	24
Model 65 & 67 (Lbs. Each)**	4.4	4.8	5.2	5.6	6	6.4	6.8	7.2	7.6	8	8.4
*Add 3/8" for all box hydrants **Add 7.0 Lbs for (B) brass box models **Add 2.5 Lbs for (MB) modular box models **Add 2.5 Lbs for all (AL) aluminum box models											
Wall Thickness (inches)*	4	6	8	10	12	14	16	18	20	22	24
Model 68 UNDERCOVER™ WALL HYDRANT	4.1	4.5	4.9	5.3	5.7	6.1	6.5	6.9	7.3	7.7	8.1
Wall Thickness (inches)	4	6	8	10	12	14	16	18	20	22	24
HC65 & HC67 (Lbs. Each)**	11.5	12.2	12.9	13.7	14.3	15.1	15.8	16.5	17.3	18.1	18.9
*Add 3/8" for all box hydrants **Add 11.7 Lbs for (B) brass box models											
Wall Thickness (inches)*	4	6	8	10	12	14	16	18	20	22	24
C22 (Lbs. Each)**	3.1	3.3	3.5	3.8	3.9	4.2	4.6	4.8	5	5.2	5.4
Add 14.7 Lbs. for B22 brass box models											

Rough-In Con't. from Page 4

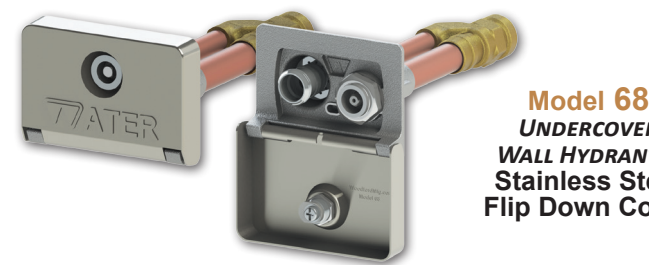
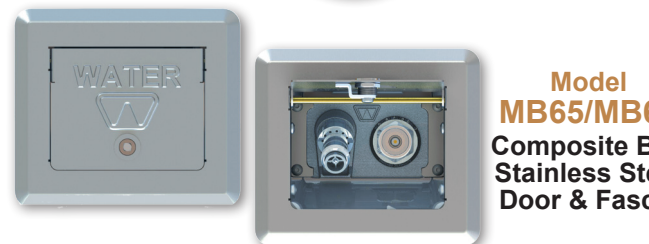
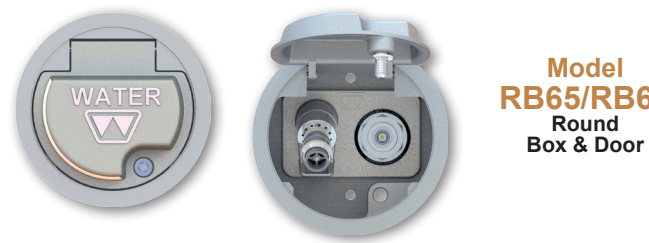
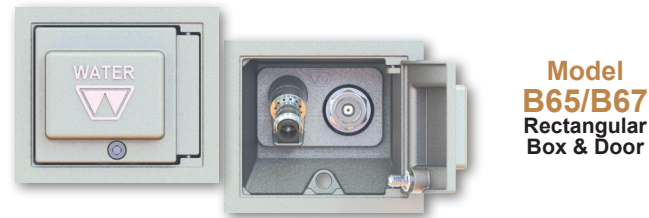
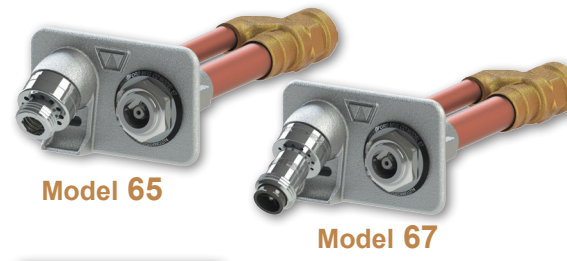


Cross-Over Models  
Also listed on separate  
Mild Climate products brochure



Woodford Manufacturing Company, LLC.  
2121 Waynoka Road  
Colorado Springs, CO 80915 USA  
800-621-6032  
800-765-4115 (Fax)  
sales@woodfordmfg.com  
www.woodfordmfg.com

© Woodford Mfg. Co. 2013 Printed in the U.S.A.



Woodford Model 65, 67 & 68 series wall hydrants are available as exposed or boxed wall mounted hydrants. Choose single check anti-siphon or dual check backflow protected models as required. Wall hydrants are designed to blend with modern architecture for installation on a wide range of commercial buildings.

- Automatic draining
- Hydrant fits one standard brick course
- Cast brass box models fit two standard brick course
- Wall thickness: 4" - 24" in 2" increments
- 3/4" male hose thread nozzle
- Cast brass round box models fit 6" diameter cored hole
- One piece valve plunger seated in brass valve body
- Copper tube casings
- No lead solder on all solder joints
- Hardened stainless steel stem
- Loose tee key operation
- 3/8" solid brass operating rod
- Chrome finish standard. Other finishes available.
- MAX PRESSURE; 125 p.s.i.
- MAX TEMPERATURE; 120° F

Scan For Specifications, Installation and Troubleshooting



For information, please contact:

Note: The Model 70 does not share 65/67 series features. See page 2 for Model 70 specifications.

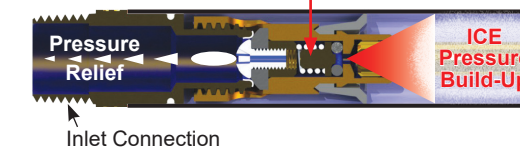
Dia. X Min. Length In Heated Area

- C** COMBINATION Copper Sweat Fitting  
1/2" K, L or M Inside  
3/4" M Only Outside  
15/16" Dia X 15/16"
- CP** COMBINATION 1/2" Male Pipe Thread  
1/2" Female Sweat  
15/16" Dia X 1 1/4"
- C3** 3/4" Female Sweat Fitting  
1 1/16" Dia X 1 3/8"
- P** COMBINATION 1/2" Female Pipe Thread  
3/4" Male Pipe Thread  
1 1/16" Dia X 1 3/8"
- PX** 1/2" PEX Tube Fitting  
15/16" Dia X 1 1/8"
- PX3** 3/4" PEX Tube Fitting  
15/16" Dia X 1 1/8"

\*\*PRV Pressure Relief Valve  
U.S. Patent #6,805,154 B1

Standard on Models C22 & B22  
The patented, resetting PRV prevents the faucet tube from bursting in freezing conditions even if a hose is unintentionally left on.  
The PRV protects up to 125 psi of backpressure and therefore does not require an add-on vacuum breaker.

Piston activates at approx. 350 psi



Integral Water Supply Stop  
MB221-MB224-MB226



- Designed to eliminate the need for entering a building in order to shut off water supply for servicing the hydrant in mild climate areas.
- A convenient integral water supply stop, with screwdriver slot, is located at the faucet head.
- The MB220 series includes the hydrant, composite box and lockable stainless steel door and fascia.
- See page 2 for model specifications

SL-65 Stem Lock  
Sold Separately



- Vandal Resistant Stem Lock**  
Fits Model 65 & 67 Series Products.  
Replace the standard packing nut with the furnished brass locking nut and snap on the lock. 2 keys are included.  
A Tee key is included for operating the faucet when lock is removed.





# Freezeless Commercial Wall Hydrants Specifications



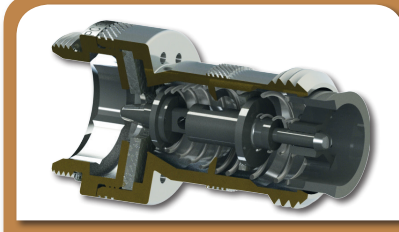
When ordering, specify model, Inlet and Wall Thickness.....Example B67C-12

MODEL	SPECIFICATIONS	INLET	FINISH
<b>67</b>	• Freezeless Wall Hydrant; UPC, cUPC Approved • *ASSE 1052 Nidel® 50HA High Flow Double Check Backflow Preventer	<b>C or P</b>	
<b>B67</b>	• 67 Freezeless Wall Hydrant • Brass Rectangular Box	<b>C or P</b>	
<b>RB67</b>	• 67 Freezeless Wall Hydrant • Brass Round Box	<b>C or P</b>	Std: Chrome Opt: Rough Brass (BR) Polished Brass (PB)
<b>HC67</b>	• 67 Freezeless Wall Hydrant • Single Control Hot & Cold Mixer	<b>3/4" FPT (2)</b>	
<b>HCB67</b>	• HC67 Freezeless Hot & Cold Mixer Wall Hydrant • Rectangular Brass Box & Door	<b>3/4" FPT (2)</b>	
<b>MB67</b>	• 67 Freezeless Wall Hydrant • Modular Composite Box, Heavy Gauge Stainless Steel Door & Fascia	<b>C or P</b>	Chrome (Hydrant)
<b>65</b>	• Freezeless Wall Hydrant	<b>C or P</b>	
<b>ASSE 1019-B</b>	• ASSE 1011 Nidel® 34HA Single Check Vacuum Breaker; CSA, UPC Approved	<b>C or P</b>	
<b>B65</b>	• 65 Freezeless Wall Hydrant	<b>C or P</b>	
<b>ASSE 1019-B</b>	• Rectangular Brass Box	<b>C or P</b>	Std: Chrome Opt: Rough Brass (BR) Polished Brass (PB)
<b>RB65</b>	• 65 Freezeless Wall Hydrant	<b>C or P</b>	
<b>ASSE 1019-B</b>	• Round Box - Chrome Only	<b>C or P</b>	
<b>MB65</b>	• 65 Freezeless Wall Hydrant	<b>C or P</b>	
<b>ASSE 1019-B</b>	• Modular Composite Box, Heavy Gauge Stainless Steel Door & Fascia	<b>C or P</b>	
<b>68</b>	• 68 Freezeless UNDERCOVER WALL HYDRANT™	<b>C or P</b>	
<b>ASSE 1053</b>	• Integral Stainless Steel flip-down head cover • *ASSE 1052 Nidel® 50HA High Flow Double Check Backflow Preventer	<b>C or P</b>	Std: Chrome Opt: Rough Brass (BR)
<b>C22</b>	• Freezeless Hot & Cold Wall Faucet • **Patented PRV Pressure Relief Valve (both tubes) • *ASSE 1052 Nidel® 50HA High Flow Double Check Backflow Preventer	<b>C, CP, CP3, P, PX, PX3</b>	Chrome
<b>B22</b>	• C22 Freezeless Hot & Cold Wall Faucet • Rectangular Brass Box and Door	<b>C, CP, CP3, P, PX, PX3</b>	Std: Chrome (CH) Opt: (BR) B22-BR
<b>21</b>	• Hose Nozzle - No Anti-Siphon Protection • Std: Polycarbonate Wheel Handle & Tee Key • Optional Metal Wheel Handle	<b>P1/2, P3/4 C, CP</b>	
<b>24</b>	• ASSE 1011 Nidel® Model 34HF Anti-Siphon Vacuum Breaker; IAPMO® Listed • Std: Polycarbonate Wheel Handle & Tee Key • Optional Metal Wheel Handle	<b>P1/2, P3/4 C, CP</b>	
<b>26</b>	• *ASSE 1052 Nidel® Model 50HF High Flow Double Check Backflow Preventer • Std: Polycarbonate Wheel Handle & Tee Key; Optional Metal Wheel Handle	<b>P1/2, P3/4 C, CP</b>	Std: Chrome (CH) Opt: Rough Brass (BR) Polished Chrome (PC)
<b>B24</b>	• Model 24 with Brass Box & Door; Tee Key Lock	<b>P1/2, P3/4</b>	
<b>B26</b>	• Model 26 with Brass Box & Door; Tee Key Lock	<b>P1/2, P3/4</b>	
<b>70</b>	• 3/4" Hose Nozzle - No Anti-Siphon Protection • Recessed Head • 1" galvanized steel pipe casing Permanent type brass valve body with hemispherical seating surface	<b>C or P</b>	
<b>MB24-1/2</b>	• Model 24 with Light weight Composite Box, Heavy Gauge Stainless Steel Door & Fascia	<b>P1/2, P3/4</b>	Chrome (CH)
<b>MB24-3/4</b>	• Tee Key Lock		
<b>MB24-1/2-K</b>	• Model 24 with Light weight Composite Box, Heavy Gauge Stainless Steel Door & Fascia	<b>P1/2, P3/4</b>	Chrome (CH)
<b>MB24-3/4-K</b>	• Key Cylinder Lock		
<b>MB26-1/2</b>	• Model 26 with Light weight Composite Box, Heavy Gauge Stainless Steel Door & Fascia	<b>P1/2, P3/4</b>	Chrome (CH)
<b>MB26-3/4</b>	• Tee Key Lock		
<b>MB26-1/2-K</b>	• Model 26 with Light weight Composite Box, Heavy Gauge Stainless Steel Door & Fascia	<b>P1/2, P3/4</b>	Chrome (CH)
<b>MB26-3/4-K</b>	• Key Cylinder Lock		
<b>MB221</b>	• Hose Nozzle - No Anti-Siphon Protection • Integral Water Supply Stop in Head • Light weight Composite Box, Heavy Gauge Stainless Steel Door & Fascia • Tee Key Lock; Optional Cylinder Lock (K)	<b>1/2-14 FPT</b>	Brass Components
<b>MB224</b>	• ASSE 1011 Nidel® Model 34HF Anti-Siphon Vacuum Breaker; IAPMO® Listed	<b>1/2-14 FPT</b>	Brass Components
<b>MB226</b>	• *ASSE 1052 Nidel® Model 50HF High Flow Double Check Backflow Preventer	<b>1/2-14 FPT</b>	Brass Components

### \*NIDEL® Model 50 Backflow Preventer

The patented NIDEL® Model 50 high flow double check backflow preventer is standard equipment on specified commercial wall hydrant models. It is intended for irrigation and outdoor watering and is designed to protect hose connections from backflow contamination in freezing and non-freezing conditions. The Model 50 automatically drains when the hose is removed and unlike single check vacuum breakers can be field tested for reliability.

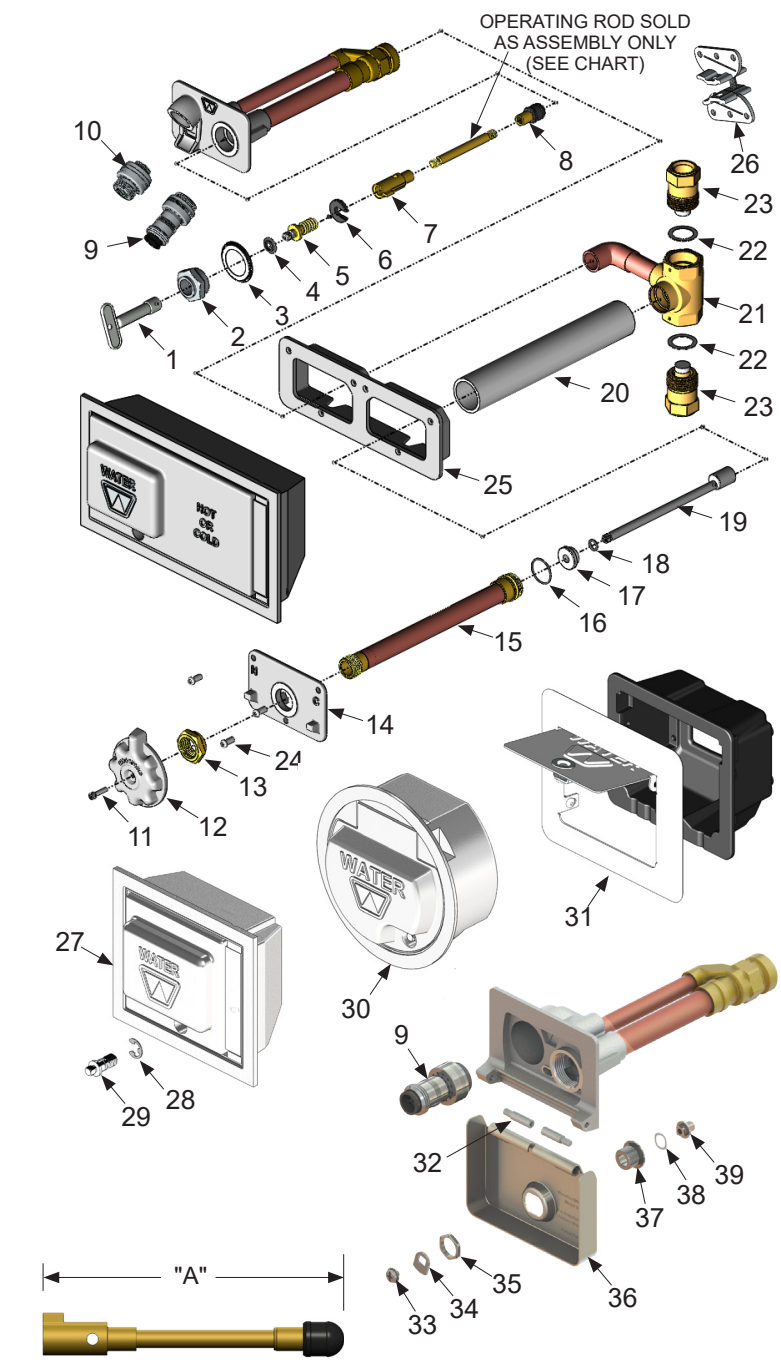
- ASSE 1052 Approved
- Field Testable (see instruction sheet)
- Two independent check valves
- High Flow Rate
- Drains automatically when hose is removed
- No spray back



# Freezeless Commercial Wall Hydrants Parts List



MODEL 65/67/68 & HC65/HC67		
ITEM	PART#	DESCRIPTION
1	50009	Tee Key
	50010	Long Tee Key (Box Models)
2	50264	Head Nut - chrome
	50265	Head Nut - brass
3	50583	I.D. Ring
4	50252	Stem Washer
5	55062	Stem Screw
6	50251	"C" Washer
7	51014	Yoke Nut
8	50250	Plunger
9	50HA-CH	NIDEL® 50HA Backflow Preventer - chrome
	50HA-BR	NIDEL® 50HA Backflow Preventer - brass
10	34HA-CH	NIDEL® 34HA Vacuum Breaker - chrome
	34HA-BR	NIDEL® 34HA Vacuum Breaker - brass
11	50559	Handle Screw
12	50547	Handle - brass
	50548	Handle - chrome
13	50545	Locking Nut
	50543	Face Plate - brass
	50544	Face Plate - chrome
15	361XX	HC67 Casing Assembly (Includes Items 16 & 17) Call for assistance
16	51093	O-Ring AS-023
17	50529	Support Washer
18	51092	O-Ring AS-110
19	5508X	Rod Assembly - Call for assistance
20	5053X	Casing Shield - Call for assistance
21	50500	Mixer Body
22	50502	Gasket (2 required)
23	55079	Shuttle Housing Assembly (2 required)
24	51050	Tamper Proof Screws (6 required)
25	50542	Wall Plate - chrome
26	55063	Wall Clamp Assembly
27	67BX	Box/Door Assembly - Chrome
28	51120	E-Ring
29	51117	Door Lock Screw - Chrome
	51116	Door Lock Screw - Brass
30	RB67BX	Round Box/Door Assembly - Chrome
31	MB65BX	Modular Box/Door Assembly - Chrome
32	50041	Headless Shoulder Bolt (2)
33	30150	Cam Lock Cam Screw
34	30143	Cam Lock
35	30155	Cam Lock Hex Nut
36	50280	Stainless Steel Head Cover
37	30140	Tee Key Lock Well
38	30156	Tee Key Lock Disc Spring
39	30139	Tee Key Lock
	553XX	HC Operating Rod Assemblies (See chart for Overall Length)
	RK-65	Chrome Repair Kit (Includes Items 1-8)
	RK-HC	HCHCB Repair Kit (Includes Items 16-18,22,23)
	RK-68	Cover Repair Kit (Includes Items 32-39)



Operating Rod Assy. Dim "A"		
Wall Thickness (Inches)	Overall Length (Inches)	Part No.
67/68	B67/RB67	
CC	CC	3 1/2 55401
N/A	4	4 1/2 55402
4	6	6 1/2 55404
6	8	8 1/2 55406
8	10	10 1/2 55408
10	12	12 1/2 55410
12	14	14 1/2 55412
14	16	16 1/2 55414
16	18	18 1/2 55416
18	20	20 1/2 55418
20	22	22 1/2 55420
22	24	24 1/2 55422
24	N/A	26 1/2 55424

# Freezeless Commercial Wall Hydrants Rough-In Dimensions



MODEL 70 PARTS LIST		
ITEM	PART#	DESCRIPTION
1	50009	Tee Key
2	30109	Packing Nut - chrome
	30107	Packing Nut - brass
3	30247	Packing
4	55177	Head Nut Assembly - chrome
	55176	Head Nut Assembly - brass
5	51014	Yoke Nut
6	50027	Plain Support Washer
7	51013	Ball Valve Rubber
8	50028	Round Brass Nut
9	55437	Hose Nozzle - chrome
	55435	Hose Nozzle - brass
Model 70 Operating Rod Assemblies (See chart for Overall Length)		
RK-70	Repair Kit (Includes Items 1-5, 6-8)	

MODEL C22 / B22 PARTS			
ITEM	PART#	DESCRIPTION	
1	30463	Plug Button-H-Red (for plastic handle)	
	30566	Plug Button-H-Red (for metal handle)	
2	30002	Handle Screw (2)	
3	30542	Wheel Handle - Clear (2)	
	30096	Wheel Handle - Metal (2) Optional	
4	30539	Packing Nut - Chrome (2)	
	30059	Packing Nut - Brass (2) Optional	
5	30560	EPDM Packing (2)	
6	30006	Packing Support Washer	
7	30462	Plug Button-C-Blue (for plastic handle)	
	30565	Plug Button-C-Blue (for metal handle)	
8	RK-PRV	PRV Valve Stem Assembly (See chart)	
9	30459	Check Valve (2)	
10	30008	Valve Seat Rubber (2)	
11	30804	Retainer Screw (2)	
12	50HA-CH	50HA Backflow Preventer - Chrome	
	50HA-BR	50HA Backflow Preventer - Brass	
13	50012	Tee Key	
14	22BX	Box/Door Assembly - Chrome	
RK-22MH Repair Kit (Metal Handles) Includes 1 ea: Item 1a, 7a, 2 ea: Items 2, 3a, 4a, 5, 6, 9, 10, 11			

Item 8 - PRV Operating Rod Assy. "A"		
Wall Thickness (Inches)	Overall Length (Inches)	PRV Model C22 & B22 CC (1 3/4)
4	5 7/8	RK-PRV-4
6	7 7/8	RK-PRV-6
8	9 7/8	RK-PRV-8
10	11 7/8	RK-PRV-10
12	13 7/8	RK-PRV-12
14	15 7/8	RK-PRV-14
16	17 7/8	RK-PRV-16
18	19 7/8	RK-PRV-18
20	21 7/8	RK-PRV-20
22	23 7/8	RK-PRV-22
24	25 7/8	RK-PRV-24